

Pottstown Aircraft Owners & Pilots, Inc.



www.paop.org

NEWSLETTER

Regular Monthly Meeting

The July meeting will be held Thursday, July 29 at the **Flyers Roost**. This month, we will be taking a break from the usual menu of steak and instead offer a more family friendly menu of hot dogs and hamburgers. The price for either meal is \$10. Donations of appetizers or deserts will be appreciated by all.

As always, the official meeting starts at 8:00 PM. If you are planning to join us for dinner, its cocktail and munchies at 1800 and the grill should be ready to cook at 1900. For Reservations please call Ethel at 610-495-6366 or Winnie at 610-495-5111. Please come out and join us with for a night of fun, food and friends.

FLYOUT

MORE FUN ON THE EASTERN SHORE

The Eastern Shore of Maryland, actually incorporating Delaware and a bit of Virginia, has, since colonial days, provided a rich harvest of both agricultural products and seafood. Many of the Eastern Shore towns were even bulwarks against the British in the Revolution and the War of 1812. St. Michaels, MD, is central to much of this history. It hosts a maritime museum, shops, and fine restaurants. On July 25, we'll fly to Easton, MD (KESN), the gateway to St. Michaels and other towns stretching out to Tilghman Island. After a quick taxi ride, we'll browse the town and have lunch at the Crab Claw, featuring the local crabs and oysters (and meats, too, for those so inclined). Check out www.stmichaelsmd.org for more info.

We'll gather at Penn Airways at 1000 for 1030 takeoff. Take a non-pilot along, for an introduction to the world of general aviation—the fun and camaraderie.

In order to make the complex ground arrangements, both for transportation from the airport and for touring, it will be very important to know how many are coming. Let Gene Poppel know at 610-647-1332 or genepoppel@comcast.net, by Wednesday, July 21, if possible. As always, it's share the ride, so if you will have room in your plane for passengers, or will need a ride, let Gene put you on the list.

Look for the details in your e-mail because this is a GREAT OUTING!

More Flyout News

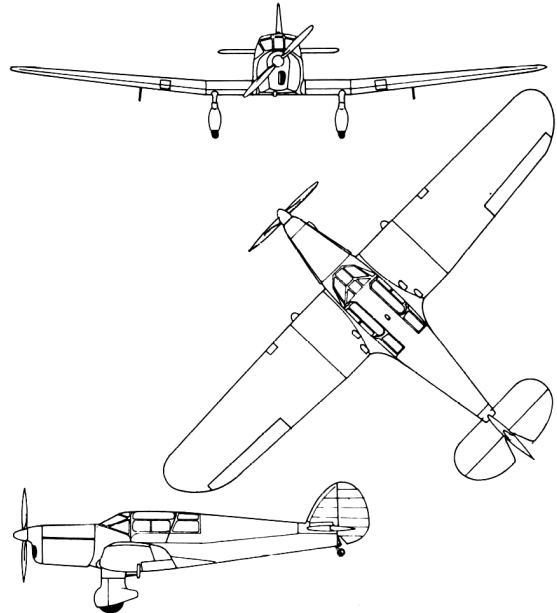
In the past, too many of the monthly Fly-Outs have gone east — to the diner — due to foul weather. Our Board unanimously decided to have the “Destination of the Month” on each Sunday of the month — starting with the first Sunday as the Fly-Out attempt to the destination. If socked in, the second Sunday will be attempted, and so on.

This course of action will increase our chances of assuring a visit to the destination choice for that month. Beginning in August this year should be sufficient time for all to adjust to the new scheduling routine.

Upcoming Local Events

Annual Fly-In/Drive-In Breakfast Heritage Field (PTW)

Sunday, September 12, 2010



Originated February 26, 1948 – Incorporated January 15, 1960 – 2909 Reifsnyder Road, Gilbertsville, PA 19525

President:

John Ruths, 215-843-1535

Vice President

Robert Cenci, 610-933-1359

Secretary:

Ethel Bailey, 610-933-4422

Treasurer:

Winnie Ellis, 610-970-5159

Directors: Dennis Galvin, 610-630-4258 • Joseph Horvath, 610-983-0168 • Thomas Kozel, 610-970-2958 • David Szymanski, 610-367-2101

President Ex-Officio: Barbara Ziegler, 610-489-4031



2010 PAOP Event Calendar

Date	Event	Program
4/25/10	Fly Out - Sky Acres, Millbrook, NY (44N)	Brunch
4/29/10	Monthly Meeting @ The Fairways	
5/4/10	Board Meeting	
5/23/10	Fly Out - Bradley Field, Windsor Locks, CT (BDL)	New England Air Museum
5/27/10	Monthly Meeting @ The Roost	Steak
6/1/10	Board Meeting	
6/20/10	Wings and Wheels Breakfast	
6/24/10	Monthly Meeting @ The Roost	Chicken*
6/27/10	Fly Out - Kentmorr Marina, Stevensville, MD (3W3)	Crab Lunch
6/29/10	Board Meeting	
7/25/10	Fly Out - Easton, MD (ESN)	Lunch, Maritime Museum
7/29/10	Monthly Meeting @ The Roost	Hot Dogs and Hamburgers
8/3/10	Board Meeting	
8/26/10	Monthly Meeting @ The Roost	Clams and Chicken*
8/29/10	Fly Out - Lock Haven, PA (LHV)	Piper Museum
8/31/10	Board Meeting	
9/12/10	Annual Fly-In/Drive-In Breakfast	
9/26/10	Fly Out - Altoona, PA (AOO)	Brunch
9/30/10	Monthly Meeting @ The Roost	Lobster*
10/5/10	Board Meeting	
10/28/10	Monthly Meeting	
10/31/10	Fly Out - Luray Caverns (W45)	Leaf Peeping, Cave Tour
11/2/10	Board Meeting	
11/18/10	Monthly Meeting	
11/21/10	Fly Out - Sky Manor, Pittstown, NJ (N40)	Brunch
11/30/10	Board Meeting	
12/19/10	Fly Out - Frederick, MD (FDK)	Brunch
TBD	Christmas Party	
1/4/11	Board Meeting	
1/27/11	Monthly Meeting	
1/31/11	Fly Out - Lincoln Park, NJ (N07)	Brunch

• * Steak is allow also available at these meetings

Originated February 26, 1948 – Incorporated January 15, 1960 – 2909 Reifsnyder Road, Gilbertsville, PA 19525

President:

John Ruths, 215-843-1535

Vice President

Robert Cenci, 610-933-1359

Secretary:

Ethel Bailey, 610-933-4422

Treasurer:

Winnie Ellis, 610-970-5159

Directors: Dennis Galvin, 610-630-4258 • Joseph Horvath, 610-983-0168 • Thomas Kozel, 610-970-2958 • David Szymanski, 610-367-2101

President Ex-Officio: Barbara Ziegler, 610-489-4031